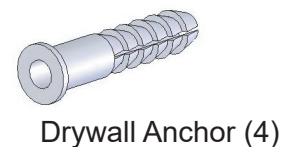
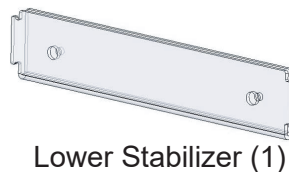
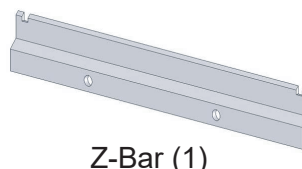
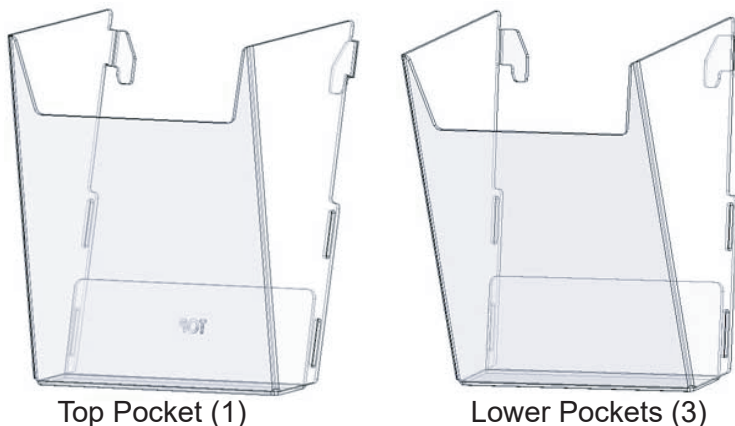


# ASSEMBLY INSTRUCTIONS

## LITERATURE RACK - RM9

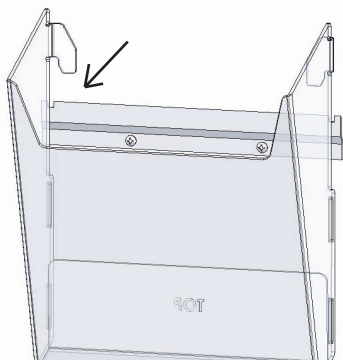
# DISPLAYS2GO



1. Place z-bar in desired location on a wall and mark the holes using a pencil. Remove z-bar and drill two 7/32" holes. Insert anchors and attach z-bar with screws.

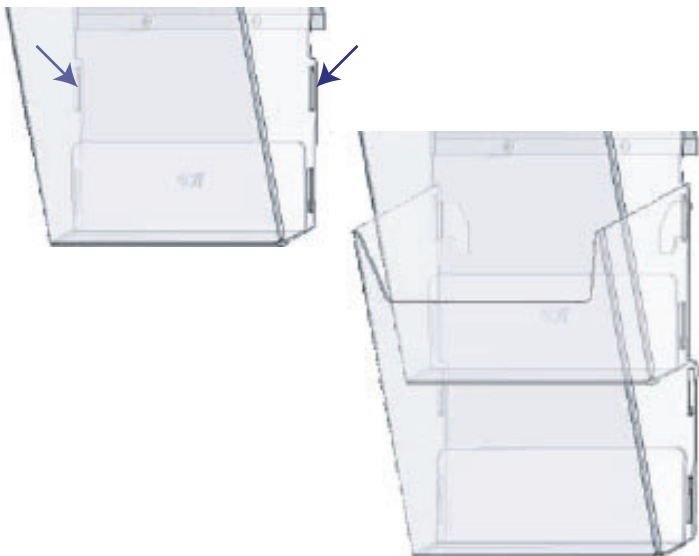


2. Take the pocket labeled "TOP", insert tabs into z-bar secured to the notches on the z-bar.

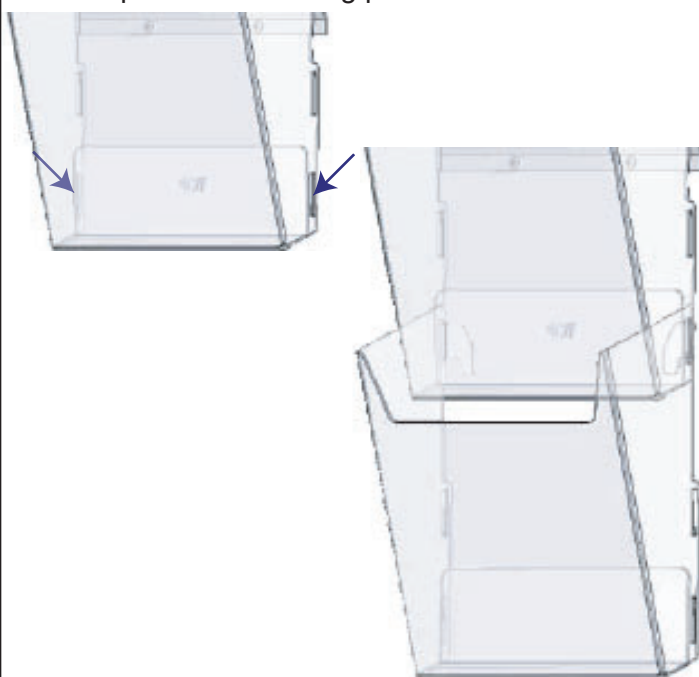


3. Attach following pockets by flexing sides of the pocket and insert tabs into slots on top pocket.

a). To get half view display, attach inserts into the upper slots. Repeat for remaining pockets.



b). To get full view display, attach inserts into the lower slots. Repeat for remaining pockets.



4. After installing last pocket, make two line marks on the wall at the bottom of slots (see images below), then remove last pocket. Align stabilizer to marks and mark the holes on the wall. Drill two 7/32" holes, install stabilizer using anchors and screws provided. Reinstall last pocket and attach tabs into the slots on the last pocket.

